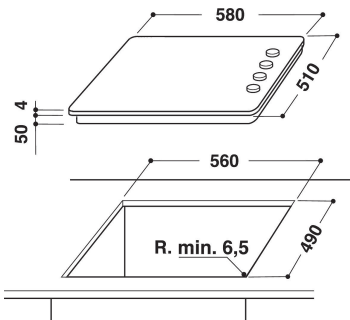
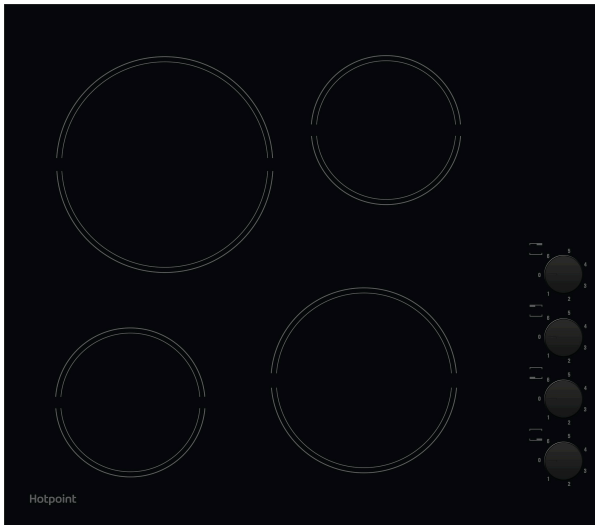


HR 619 C H

12NC: F104330

GTIN (EAN) code: 5054645043309

Hotpoint



MAIN FEATURES

Product group	Hob
Construction type	Built-in
Type of control	Mechanical
Type of control settings	-
Number of gas burners	0
Number of electric cooking zones	4
Number of electric plates	0
Number of radiant plates	4
Number of halogen plates	0
Number of induction plates	0
Number of electric warming zones	0
Location of control panel	Lateral
Basic surface material	Ceramic Glass
Main colour of product	Black
Electrical connection rating (W)	6200
Gas connection rating (W)	0
Current (A)	27
Voltage (V)	230
Frequency (Hz)	50/60
Length of Electrical Supply Cord (cm)	120
Plug type	No
Gas connection	N/A
Width of the product	580
Height of the product	50
Depth of the product	510
Minimum niche height	40
Minimum niche width	560
Niche depth	490
Net weight (kg)	8.5
Automatic programmes	No

TECHNICAL FEATURES

Power on indicator	Yes
Number of indicators	1
Type of regulation	Radiant
Type of lid	Without
Residual heat indicator	Without
Main on/off switch	No
Safety device	-
Timer	No

PERFORMANCES

Energy input	Electric
--------------	----------